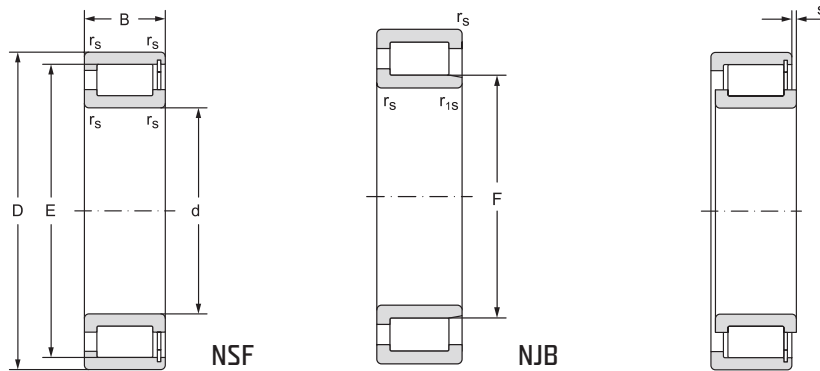


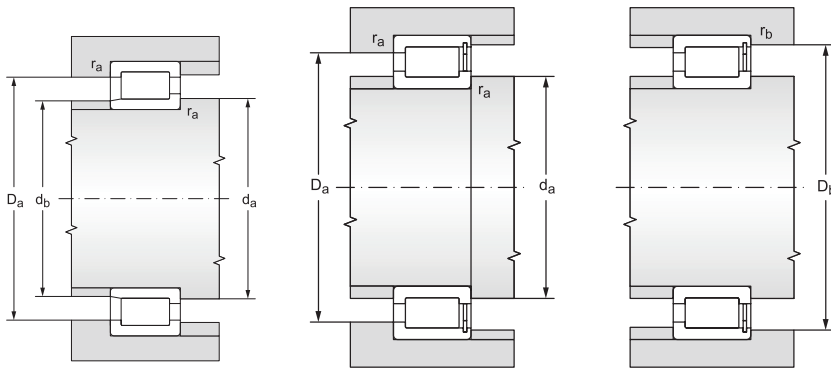
Single row full complement cylindrical roller bearings d = 20 to 1000 mm



12.4.3

Main dimensions								Bearing designation	Basic load rating	
d	D	B	r _s	r _{1s}	F	E	s ¹⁾		dynamic C _r	static C _{or}
			min	min						
mm								kN		
20	42	16,00	0,6	0,6		36,80	1,5	NSF3004CV	26,0	28,0
25	47	16,00	0,6	0,6		42,50	1,5	NSF3005CV	30,0	34,0
	62	24,00	1,1		31,74		1,7	NJB2305VH	64,0	65,0
30	55	19,00	1,0	1,0		49,60	2,0	NSF3006CV	37,0	41,0
	72	27,00	1,1		38,36		1,8	NJB2306VH	80,0	82,0
35	62	20,00	1,0	1,0		55,50	2,0	NSF3007CV	46,0	53,0
	80	31,00	1,5		44,75		2,0	NJB2307VH	103,0	108,0
40	68	21,00	1,0	1,0		61,70	2,0	NSF3008CV	53,0	65,0
	90	33,00	1,5		51,15		2,4	NJB2308VH	138,0	149,0
45	75	23,00	1,0	1,0		66,90	2,0	NSF3009CV	55,0	71,0
	100	36,00	1,5		56,14		2,4	NJB2309VH	167,0	188,0
50	80	23,00	1,0	1,0		72,30	2,0	NSF3010CV	70,0	93,0
	55	90	26,00	1,1	1,1		83,50	2,0	NSF3011CV	100,0
120		43,00	2,0		67,14		2,6	NJB2311VH	225,0	250,0
60	85	16,00	1,0	1,0		78,65	1,0	NSF2912CV	51,0	75,0
	95	26,00	1,1	1,1		86,70	1,6	NSF3012CV	101,0	137,0
65	90	16,00	1,0	1,0		85,35	1,0	NSF2913CV	54,0	82,0
	100	26,00	1,1	1,1		93,10	2,0	NSF3013CV	106,0	155,0
	140	48,00	2,1		80,71		3,0	NJB2313VH	291,0	345,0
70	100	19,00	1,0	1,0		92,50	1,0	NSF2914CV	72,0	108,0
	110	30,00	1,1	1,1		100,30	3,0	NSF3014CV	119,0	164,0
	150	51,00	2,1		84,22		3,0	NJB2314VH	324,0	389,0
75	105	19,00	1,0	1,0		97,60	1,0	NSF2915CV	73,0	112,0
	115	30,00	1,1	1,1		107,90	3,0	NSF3015CV	124,0	181,0
	160	55,00	2,1		91,24		3,0	NJB2315VH	379,0	463,0
80	110	19,00	1,0	1,0		102,70	1,0	NSF2916CV	76,0	123,0
	125	34,00	1,1	1,1		117,00	4,0	NSF3016CV	151,0	219,0
	170	58,00	2,1		98,26		4,0	NJB2316VH	437,0	552,0

d = 20 to 80 mm



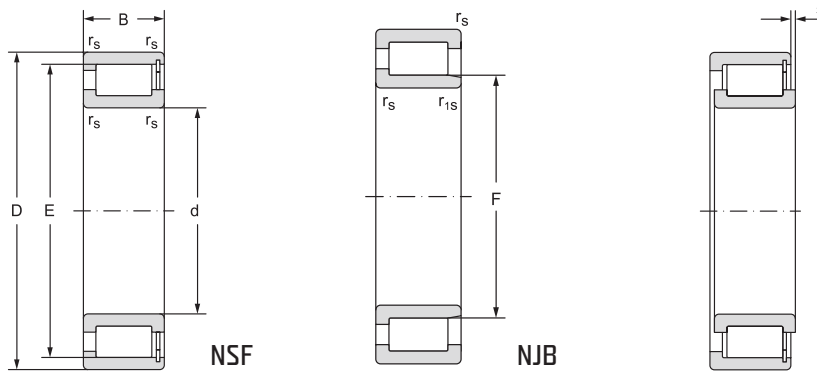
1) Admissible axial movement
2) Recommended diameter of fitting for axially loaded bearings



Fatigue load limit	Limiting speed for lubrication with		Abutment and fillet dimensions								Weight
	grease	oil	d	d _a	d _{as} ²⁾	d _b	D _a	D _b	r _a	r _b	
P _u				min		max	max	max	max	max	~
kN	min ⁻¹		mm								kg
3,41	6900	8200	20	24	26,9	-	38	40	0,6	0,6	0,11
4,15	5700	6800	25	29	32,3	-	43	45	0,6	0,6	0,12
7,93	3600	4300		32	33,9	30,0	55	-	1,0		0,38
5,00	4800	5700	30	35	37,8	-	50	52	1,0	1,0	0,20
10,00	3315	3900		37	40,8	36,0	65	-	1,0		0,56
6,46	4300	5100	35	40	42,8	-	57	59	1,0	1,0	0,26
13,17	2800	3300		44	47,6	42,0	71	-	1,5		0,75
7,93	3900	4600	40	45	47,9	-	63	65	1,0	1,0	0,31
18,17	2400	2900		49	54,4	49,0	81	-	1,5		1,00
8,66	3400	4100	45	50	53,0	-	70	72	1,0	1,0	0,40
22,93	2200	2700		54	59,3	54,0	91	-	1,5		1,45
11,34	3200	3800	50	55	56,7	-	75	77	1,0	1,0	0,43
16,59	2700	3200	55	61	65,8	-	84	86	1,0	1,0	0,64
30,49	1780	2100		66	71,3	66,0	109	-	2,0		2,30
9,15	2900	3500	60	65	66,8	-	80	80	1,0	1,0	0,29
16,71	2800	3300		66	68,9	-	89	91	1,0	1,0	0,69
10,00	2600	3100	65	70	73,4	-	85	85	1,0	1,0	0,31
18,90	2400	2900		71	75,6	-	94	96	1,0	1,0	0,73
42,07	1500	1800		77	85,3	78,0	128	-	2,0		3,55
13,17	2400	2900	70	75	78,5	-	95	95	1,0	1,0	0,49
20,00	2200	2700		76	78,7	-	104	106	1,0	1,0	1,02
47,44	1400	1700		82	89,0	81,0	138	-	2,0		4,40
14,10	2200	2700	75	80	83,8	-	100	100	1,0	1,0	0,52
22,42	2100	2500		81	86,5	-	109	111	1,0	1,0	1,06
53,80	1200	1500		87	96,1	88,0	148	-	2,0		5,35
15,23	2100	2500	80	85	88,6	-	105	105	1,0	1,0	0,55
26,51	1900	2300		86	92,0	-	119	121	1,0	1,0	1,43
62,96	1100	1400		92	104,0	95,0	158	-	2,0		6,40

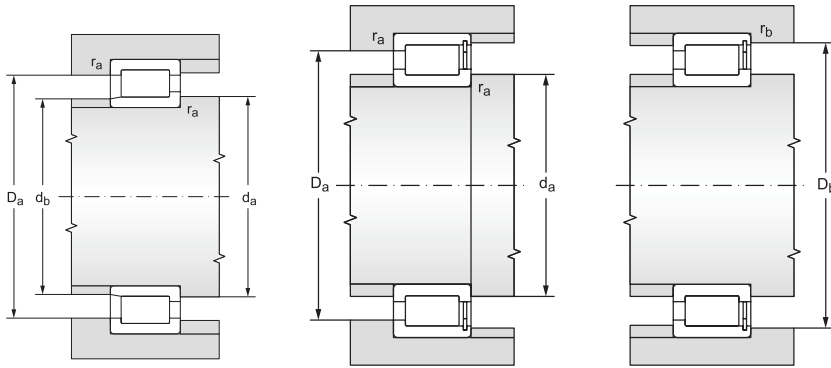
Single row full complement cylindrical roller bearings

d = 85 to 160 mm



12.4.3

Main dimensions								Bearing designation	Basic load rating	
d	D	B	r _s	r _{1s}	F	E	s ¹⁾		dynamic	static
			min	min					C _r	C _{or}
mm									kN	
85	120	22,00	1,1	1,1		109,70	1,0	NSF2917CV	94,0	156,0
	130	34,00	1,1	1,1		121,40	4,0	NSF3017CV	160,0	225,0
	180	60,00	3,0		107		4,0	NJB2317VH	455,0	605,0
90	125	22,00	1,1	1,1		115,60	1,0	NSF2918CV	98,0	165,0
	140	37,00	1,5	1,5		130,10	4,0	NSF3018CV	185,0	260,0
	190	64,00	3,0		105,3		4,0	NJB2318VH	505,0	650,0
100	140	24,00	1,1	1,1		130,60	1,5	NSF2920CV	110,0	185,0
	150	37,00	1,5	1,5		139,70	4,0	NSF3020CV	195,0	295,0
	215	73,00	3,0		119,3		4,0	NJB2320VH	665,0	850,0
110	150	24,00	1,1	1,1		141,10	1,5	NSF2922CV	120,0	205,0
	170	45,00	2,0	2,0		156,10	5,5	NSF3022CV	260,0	375,0
	240	80,00	3,0		134,3		5,0	NJB2322VH	840,0	1030,0
120	165	27,00	1,1	1,1		154,30	1,5	NSF2924CV	160,0	275,0
	180	46,00	2,0	2,0		167,60	5,5	NSF3024CV	275,0	420,0
	215	58,00	2,1	2,1		192,32	4,0	NSF2224V	500,0	720,0
	260	86,00	3,0		147,4		5,0	NJB2324VH	925,0	1200,0
130	180	30,00	1,5	1,5		167,10	2,0	NSF2926CV	190,0	340,0
	200	52,00	2,0	1,0		183,00	5,5	NSF3026CV	395,0	600,0
	280	93,00	4,0		157,9		6,0	NJB2326VH	1040,0	1400,0
140	190	30,00	1,5	1,5		180,00	2,0	NSF2928CV	205,0	375,0
	210	53,00	2,0	1,0		197,00	5,5	NSF3028CV	420,0	660,0
	250	68,00	3,0	3,0		221,90	5,0	NSF2228V	680,0	1000,0
	300	102,00	4,0		168,5		6,5	NJB2328VH	1150,0	1560,0
150	210	36,00	2,0	2,0		196,40	2,5	NSF2930CV	275,0	475,0
	225	56,00	2,1	1,1		206,00	7,0	NSF3030CV	440,0	695,0
	270	73,00	3,0	3,0		236,70	6,0	NSF2230V	770,0	1130,0
	320	108,00	4,0		182,5		6,5	NJB2330VH	1390,0	1870,0
160	220	36,00	2,0	2,0		207,20	2,5	NSF2932CV	290,0	510,0
	240	60,00	2,1	1,1		224,00	7,0	NSF3032CV	490,0	780,0
	290	80,00	3,0	3,0		266,40	6,0	NSF2232V	970,0	1470,0



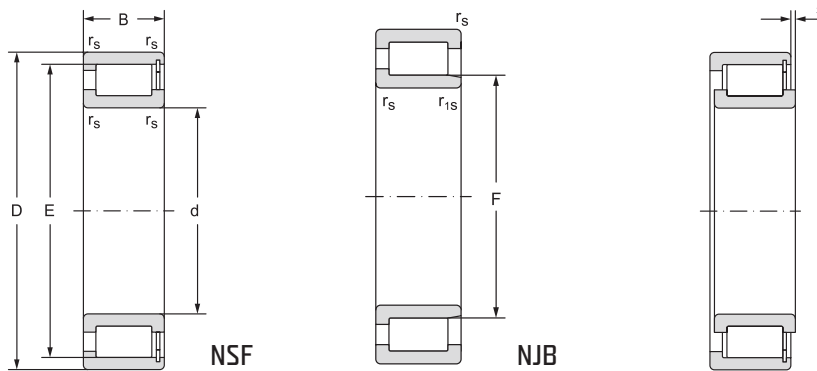
1) Admissible axial movement
 2) Recommended diameter of fitting for axially loaded bearings



Fatigue load limit	Limiting speed for lubrication with		Abutment and fillet dimensions								Weight
	grease	oil	d	da	das ²⁾	db	Da	D _b	ra	rb	
P _u				min		max	max	max	max	max	
kN	min ⁻¹		mm								kg
18,88	2100	2500	85	91	93,9	-	114	114	1,0	1,0	0,81
26,85	1900	2300		91	96,2	-	124	126	1,0	1,0	1,51
67,81	1100	1300		99	113,0	104,0	166	-	2,5		7,40
19,69	1900	2300	90	96	99,8	-	119	119	1,0	1,0	0,84
30,41	1700	2100		97	103,0	-	133	135	1,5	1,5	1,97
71,66	1100	1300		104	111,0	105,0	176	-	2,5		8,75
21,36	1700	2100	100	106	111,0	-	134	134	1,0	1,0	1,14
33,65	1600	1900		107	112,0	-	143	145	1,5	1,5	2,15
90,45	900	1100		114	126,0	119,0	201	-	2,5		13,0
23,11	1500	1800	110	116	122,0	-	144	144	1,0	1,0	1,23
41,34	1400	1700		120	124,0	-	160	165	2,0	2,0	3,50
106,20	850	1000		124	143,0	130,0	226	-	2,5		17,5
30,16	1400	1700	120	126	133,0	-	159	159	1,0	1,0	1,73
45,35	1300	1600		130	135,0	-	170	175	2,0	2,0	3,80
75,22	1100	1300		131	145,0	-	204	204	2,0	2,0	9,05
120,71	850	1000		134	156,0	142,0	246	-	2,5		22,5
36,36	1200	1500	130	137	143,0	-	173	173	1,5	1,5	2,33
62,96	1100	1400		140	148,0	-	190	195	2,0	1,0	5,80
137,65	800	950		147	166,0	153,0	263	-	3,0		28,0
39,35	1100	1400	140	147	155,0	-	183	183	1,5	1,5	2,42
68,05	1100	1300		150	159,0	-	200	205	2,0	1,0	6,10
99,81	900	1100		143	167,0	-	127	127	2,5	2,5	14,5
150,17	720	850		157	178,0	163,0	283	-	3,0		35,5
48,56	1100	1300	150	159	166,0	-	201	201	2,0	2,0	3,77
70,19	1000	1200		161	167,0	-	214	234	2,0	1,0	7,50
110,31	850	1000		153	178,0	-	137	137	2,5	2,5	18,4
176,48	680	800		167	192,0	178,0	303	-	3,0		42,5
51,30	1000	1200	160	169	177,0	-	211	211	2,0	2,0	4,00
77,26	900	1100		171	180,0	-	229	304	2,0	1,0	9,10
140,56	800	950		163	201,0	-	147	147,0	2,5	2,5	23,0

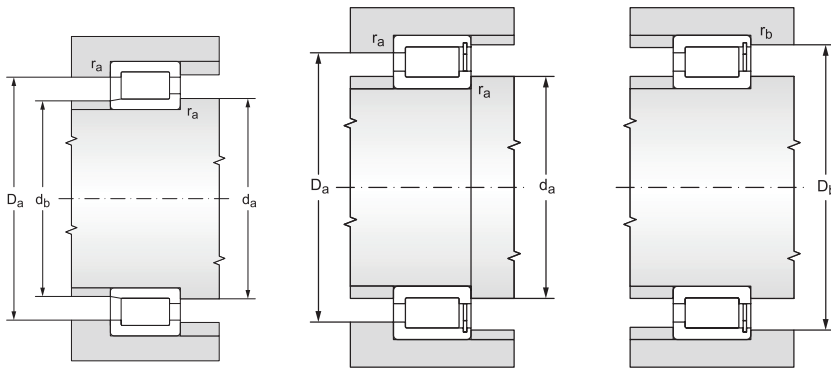
Single row full complement cylindrical roller bearings

d = 170 to 280 mm



12.4.3

Main dimensions								Bearing designation	Basic load rating	
d	D	B	r _s	r _{1s}	F	E	s ¹⁾		dynamic	static
			min	min					C _r	C _{or}
mm									kN	
170	230	36,00	2,0	2,0		218,00	2,5	NSF2934CV	300,0	545,0
	260	67,00	2,1	1,1		242,00	7,0	NSF3034CV	640,0	1030,0
	310	86,00	4,0	4,0		281,10	7,0	NSF2234V	1050,0	1670,0
	360	120,00	4,0		203,55		7,0	NJB2334VH	1690,0	2410,0
180	250	42,00	2,0	2,0		232,00	2,5	NSF2936CV	375,0	680,0
	280	74,00	2,1	2,1		260,00	7,0	NSF3036CV	740,0	1210,0
	380	126,00	4,0		221,7		8,0	NJB2336VH	1800,0	2620,0
190	260	42,00	2,0	2,0		244,00	2,5	NSF2938CV	415,0	765,0
	290	75,00	2,1	2,1		269,00	9,0	NSF3038CV	765,0	1275,0
	340	92,00	4,0	4,0		311,00	7,0	NSF2238V	1200,0	1880,0
	400	132,00	5,0		224,5		8,0	NJB2338VH	2090,0	2970,0
200	250	24,00	1,5	1,1		237,50	1,8	NSF1840V	170,0	330,0
	280	48,00	2,1	2,1		262,00	3,0	NSF2940CV	515,0	950,0
	310	82,00	2,1	2,1		287,00	9,0	NSF3040CV	880,0	1500,0
	420	138,00	5,0		238,6		9,0	NJB2340VH	2200,0	3150,0
220	270	24,00	1,5	1,1		258,00	1,8	NSF1844V	180,0	360,0
	300	48,00	2,1	2,1		283,00	3,0	NSF2944CV	525,0	1030,0
	340	90,00	3,0	3,0		312,00	9,0	NSF3044CV	1030,0	1770,0
	400	108,00	4,0	4,0		366,00	8,0	NSF2244V	1800,0	2700,0
	460	145,00	5,0		266,7		10,0	NJB2344VH	2450,0	3510,0
240	300	28,00	2,0	1,1		287,00	1,8	NSF1848V	250,0	510,0
	320	48,00	2,1	2,1		303,00	3,0	NSF2948CV	545,0	1110,0
	360	92,00	3,0	3,0		335,00	11,0	NSF3048CV	1080,0	1940,0
	500	155,00	5,0		280,6		10,0	NJB2348VH	2710,0	3860,0
260	320	28,00	2,0	1,1		307,20	1,8	NSF1852V	260,0	550,0
	360	60,00	2,1	2,1		333,00	3,5	NSF2952CV	715,0	1400,0
	400	104,00	4,0	4,0		376,00	11,0	NSF3052CV	1450,0	2520,0
	540	165,00	6,0		615,6		11,0	NJB2352VH	3300,0	4770,0
280	350	33,00	2,0	1,1		334,00	2,5	NSF1856V	330,0	690,0
	380	60,00	2,1	2,1		359,10	3,5	NSF2956CV	840,0	1710,0
	420	106,00	4,0	4,0		391,00	11,0	NSF3056CV	1690,0	2630,0



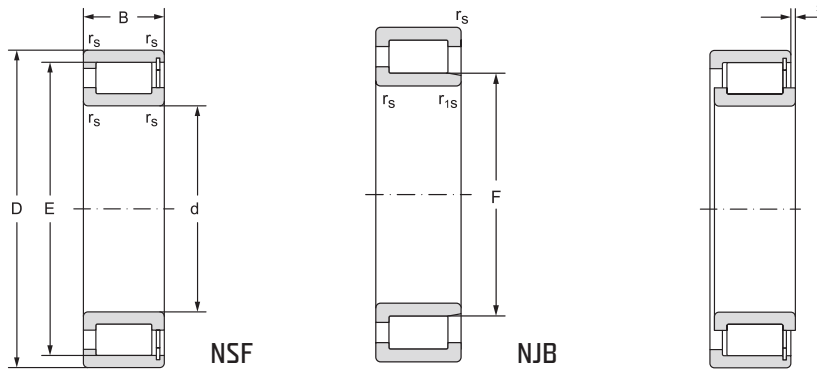
1) Admissible axial movement
 2) Recommended diameter of fitting for axially loaded bearings



Fatigue load limit	Limiting speed for lubrication with		Abutment and fillet dimensions								Weight
	grease	oil	d	d _a	d _{as} ²⁾	d _b	D _a	D _b	r _a	r _b	
P _u				min		max	max	max	max	max	
kN	min ⁻¹		mm								kg
53,99	900	1100	170	179	188,0	-	221	221,0	2,0	2,0	4,30
99,84	850	1000		181	192,0	-	249	274,0	2,0	1,0	12,5
156,62	760	900		185	212,0	-	295	295,0	3,0	3,0	28,7
219,40	590	700		187	214,0	200,0	343	-	3,0		59,5
65,91	850	1000	180	189	199,0	-	241	241,0	2,0	2,0	6,20
114,94	850	1000		191	206,0	-	269	269,0	2,0	2,0	16,5
234,61	570	670		197	232,0	216,0	363	-	3,0		69,5
73,15	850	1000	190	199	208,0	-	251	251,0	2,0	2,0	6,50
119,57	850	1000		201	216,0	-	279	279,0	2,0	2,0	17,0
171,15	680	800		205	235,0	-	325	325,0	3,0	3,0	35,7
261,82	530	630		210	237,0	222,0	380	-	4,0		80,0
31,55	850	1000	200	207	215,0	-	243	245,0	1,5	1,0	2,60
89,09	830	980		211	222,0	-	269	269,0	2,0	2,0	9,10
138,14	800	950		211	230,0	-	299	299,0	2,0	2,0	22,5
273,58	630	750		220	252,0	232,0	400	-	4,0		92,0
33,55	800	950	220	227	235,0	-	263	265,0	1,5	1,0	2,85
94,30	800	950		231	242,0	-	289	289,0	2,0	2,0	9,90
158,49	720	850		233	248,0	-	327	327,0	2,5	2,5	29,5
234,50	590	700		235	260,0	-	385	385,0	3,0	3,0	58,0
296,52	570	670		240	281,0	260,0	440	-	4,0		111
46,17	760	900	240	249	259,0	-	291	295,0	2,0	1,0	4,40
99,39	720	850		251	263,0	-	309	309,0	2,0	2,0	10,6
170,16	680	800		253	271,0	-	347	347,0	2,5	2,5	32,0
317,92	530	630		260	295,0	282,0	480	-	4,0		147
48,73	680	800	260	270	279,0	-	310	315,0	2,0	1,0	4,75
121,59	630	750		271	286,0	-	349	349,0	2,0	2,0	18,5
214,80	590	700		275	295,0	-	385	385,0	3,0	3,0	46,5
383,78	360	430		286	332,0	309,0	514	-	5,0		177
59,64	630	750	280	289	303,0	-	341	344,0	2,0	1,0	7,10
145,76	590	700		291	309,0	-	369	369,0	2,0	2,0	19,7
220,25	570	670		295	310,0	-	405	405,0	3,0	3,0	50,0

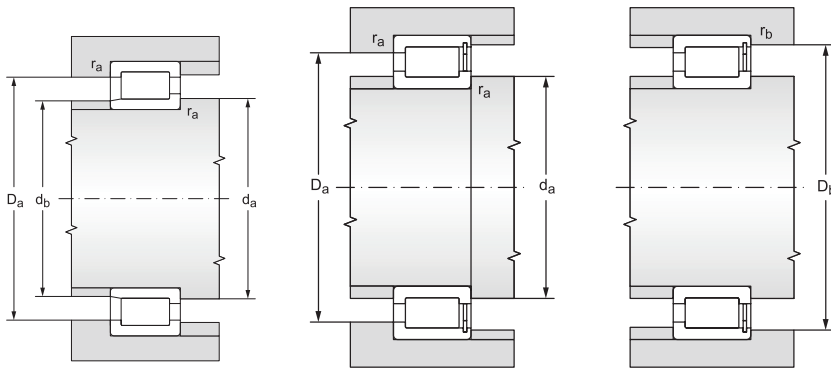
Single row full complement cylindrical roller bearings

d = 300 to 460 mm



12.4.3

Main dimensions								Bearing designation	Basic load rating	
d	D	B	r _s	r _{1s}	F	E	s ¹⁾		dynamic	static
			min	min					C _r	C _{or}
mm									kN	
300	380	38,00	2,1	1,5		363,00	3,0	NSF1860V	410,0	850,0
	420	72,00	3,0	3,0		390,50	5,0	NSF2960CV	1050,0	2180,0
	460	118,00	4,0	4,0		433,00	14,0	NSF3060CV	1810,0	3230,0
320	400	38,00	2,1	1,5		383,00	3,0	NSF1864V	430,0	900,0
	440	72,00	3,0	3,0		411,00	5,0	NSF2964CV	1070,0	2340,0
	480	121,00	4,0	4,0		449,00	14,0	NSF3064CV	1900,0	3440,0
340	420	38,00	2,1	1,5		403,00	3,0	NSF1868V	440,0	950,0
	460	72,00	3,0	3,0		431,00	5,0	NSF2968CV	1100,0	2490,0
	520	133,00	5,0	5,0		485,00	14,0	NSF3068CV	2300,0	4140,0
360	440	38,00	2,1	1,5		418,90	4,5	NSF1872V	400,0	900,0
	480	72,00	3,0	3,0		451,50	5,0	NSF2972CV	1150,0	2590,0
	540	134,00	5,0	5,0		503,00	14,0	NSF3072CV	2340,0	4290,0
380	480	46,00	2,1	1,5		458,00	3,5	NSF1876V	620,0	1290,0
	520	82,00	4,0	4,0		488,00	5,0	NSF2976CV	1460,0	3230,0
	560	135,00	5,0	5,0		521,00	14,0	NSF3076CV	2430,0	4540,0
400	500	46,00	2,1	1,5		475,00	3,5	NSF1880V**	620,0	1340,0
	540	82,00	4,0	4,0		511,00	5,0	NSF2980CV**	1550,0	3450,0
	600	148,00	5,0	5,0		558,00	14,0	NSF3080CV**	2850,0	5500,0
420	520	46,00	2,1	1,5		499,00	3,5	NSF1884V**	660,0	1430,0
	560	82,00	4,0	4,0		524,00	5,0	NSF2984CV**	1550,0	3600,0
	620	150,00	5,0	5,0		577,00	15,0	NSF3084CV**	2930,0	5700,0
440	540	46,00	2,1	1,5		516,00	3,5	NSF1888V**	670,0	1460,0
	540	60,00	2,1	1,5		516,00	3,5	NSF2888V**	1050,0	2700,0
	600	95,00	4,0	4,0		565,50	6,0	NSF2988V**	2010,0	4400,0
	650	157,00	6,0	6,0		611,00	16,0	NSF3088CV**	3430,0	6550,0
460	580	56,00	3,0	3,0		553,00	5,0	NSF1892V**	910,0	1960,0
	580	72,00	3,0	3,0		553,00	5,0	NSF2892V**	1300,0	3050,0
	620	95,00	4,0	4,0		579,00	6,0	NSF2992V**	2050,0	4500,0
	680	163,00	6,0	6,0		635,00	16,0	NSF3092CV**	3570,0	6950,0



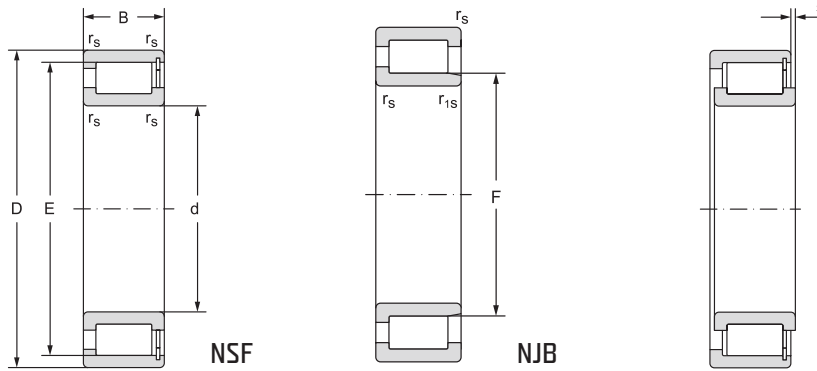
1) Admissible axial movement
 2) Recommended diameter of fitting for axially loaded bearings
 Bearings in the new standard
 NEW FORCE



Fatigue load limit	Limiting speed for lubrication with		Abutment and fillet dimensions								Weight
	P_u	grease	oil	d	d_a	$d_{as}^{2)}$	d_b	D_a	D_b	r_a	
kN	min^{-1}		mm								kg
71,81	570	670	300	311	326,0	-	369	373,0	2,0	1,5	10,00
181,03	570	670		313	334,0	-	407	407,0	2,5	2,5	31,2
263,91	510	600		315	344,0	-	445	445,0	3,0	3,0	69,0
74,74	530	630	320	331	346,0	-	389	393,0	2,0	1,5	10,5
191,19	510	600		333	353,0	-	427	427,0	2,5	2,5	32,9
276,77	470	560		335	359,0	-	465	465,0	3,0	3,0	74,5
77,62	510	600	340	351	366,0	-	409	413,0	2,0	1,5	11,0
200,34	470	560		353	373,0	-	447	447,0	2,5	2,5	35,0
325,95	450	530		358	384,0	-	502	502,0	4,0	4,0	100,0
72,41	470	560	360	371	384,0	-	429	433,0	2,0	1,5	11,5
205,36	450	530		373	396,0	-	467	467,0	2,5	2,5	36,5
333,18	420	500		378	402,0	-	522	522,0	4,0	4,0	105
101,56	450	530	380	391	411,0	-	469	473,0	2,0	1,5	19,5
250,86	420	500		395	420,0	-	505	505,0	3,0	3,0	52,5
348,03	400	480		398	420,0	-	542	542,0	4,0	4,0	110
104,07	420	500	400	411	428,0	-	489	493,0	2,0	1,5	20,5
264,47	400	480		415	442,0	-	525	525,0	3,0	3,0	54,5
413,86	380	450		418	449,0	-	582	582,0	4,0	4,0	145
109,62	400	480	420	431	452,0	-	509	513,0	2,0	1,5	21,0
272,54	380	450		435	455,0	-	545	545,0	3,0	3,0	57,0
423,90	360	430		438	469,0	-	602	602,0	4,0	4,0	150
110,53	380	450	440	451	469,0	-	529	533,0	2,0	1,5	22,0
204,40	380	450		451	469,0	-	529	533,0	2,0	1,5	29,0
327,22	360	430		455	492,0	-	585	585,0	3,0	3,0	80,5
480,30	340	400		463	488,0	-	627	627,0	5,0	5,0	175
145,76	360	430	460	473	495,0	-	567	567,0	2,5	2,5	34,0
226,82	360	430		473	495,0	-	567	567,0	2,5	2,5	44,0
330,89	340	400		475	506,0	-	605	605,0	3,0	3,0	83,5
502,82	320	380		483	511,0	-	657	657,0	5,0	5,0	195

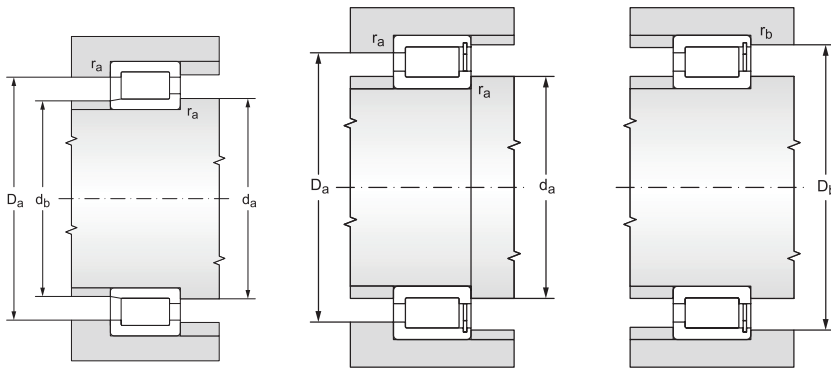
Single row full complement cylindrical roller bearings

d = 480 to 750 mm



12.4.3

Main dimensions								Bearing designation	Basic load rating	
d	D	B	r _s	r _{1s}	F	E	s ¹⁾		dynamic	static
			min	min					C _r	C _{or}
mm									kN	
480	600	56,00	3,0	3,0		573,50	5,0	NSF1896V**	930,0	2040,0
	600	72,00	3,0	3,0		573,50	5,0	NSF2896V**	1320,0	3150,0
	650	100,00	5,0	5,0		600,00	7,0	NSF2996V**	2280,0	4900,0
	700	165,00	6,0	6,0		654,00	16,0	NSF3096CV**	3600,0	7200,0
500	620	56,00	3,0	3,0		594,00	5,0	NSF18/500V**	950,0	2120,0
	620	72,00	3,0	3,0		594,00	2,4	NSF28/500V**	1340,0	3350,0
	670	100,00	5,0	5,0		630,90	7,0	NSF29/500V**	2300,0	5000,0
	720	167,00	6,0	6,0		676,00	16,0	NSF30/500CV**	3700,0	7500,0
530	650	56,00	3,0	3,0		624,50	5,0	NSF18/530V**	990,0	2230,0
	650	72,00	3,0	3,0		624,50	5,0	NSF28/530V**	1400,0	3450,0
	710	106,00	5,0	5,0		676,00	7,0	NSF29/530V**	2600,0	6100,0
	780	185,00	6,0	6,0		732,30	16,0	NSF30/530V**	5200,0	10600,0
560	680	56,00	3,0	3,0		655,00	5,0	NSF18/560V**	1020,0	2350,0
	680	72,00	3,0	3,0		655,00	4,3	NSF28/560V**	1400,0	3650,0
	750	112,00	5,0	5,0		718,00	7,0	NSF29/560V**	3050,0	6700,0
	820	195,00	6,0	6,0		770,00	16,0	NSF30/560V**	5800,0	11800,0
600	730	60,00	3,0	3,0		696,00	7,0	NSF18/600V**	1050,0	2550,0
	730	78,00	3,0	3,0		696,00	6,0	NSF28/600V**	1550,0	4300,0
	800	118,00	5,0	5,0		754,00	7,0	NSF29/600V**	3150,0	7100,0
630	780	69,00	4,0	4,0		739,00	8,0	NSF18/630V**	1250,0	2900,0
	780	88,00	4,0	4,0		739,00	8,0	NSF28/630V**	1850,0	5000,0
	850	128,00	6,0	6,0		807,00	8,0	NSF29/630V**	3750,0	8650,0
670	820	69,00	4,0	4,0		783,00	8,0	NSF18/670V**	1300,0	3150,0
	820	88,00	4,0	4,0		783,00	8,0	NSF28/670V**	1950,0	5300,0
	900	136,00	6,0	6,0		846,00	10,0	NSF29/670V**	3900,0	9000,0
710	870	74,00	4,0	4,0		831,00	8,0	NSF18/710V**	1550,0	3750,0
	870	95,00	4,0	4,0		831,00	8,0	NSF28/710V**	2330,0	6300,0
	950	140,00	6,0	6,0		896,00	10,0	NSF29/710V**	4300,0	10000,0
750	920	78,00	5,0	5,0		882,00	8,0	NSF18/750V**	1850,0	4500,0
	920	100,00	5,0	5,0		878,00	8,0	NSF28/750V**	2650,0	6950,0
	1000	145,00	6,0	6,0		937,00	11,0	NSF29/750V**	4450,0	10600,0



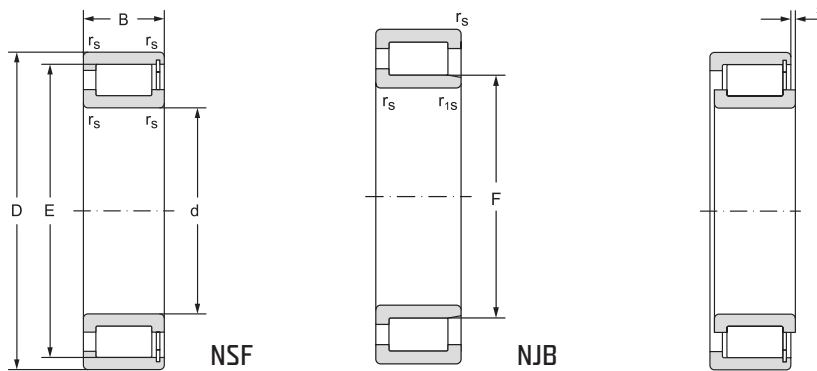
1) Admissible axial movement
 2) Recommended diameter of fitting for axially loaded bearings
 Bearings in the new standard
 NEW FORCE



Fatigue load limit	Limiting speed for lubrication with		Abutment and fillet dimensions								Weight
	grease	oil	d	da	das ²⁾	db	Da	D _b	ra	rb	
P _u				min		max	max	max	max	max	
kN	min ⁻¹		mm								kg
150,00	340	400	480	493	516,0	-	587	587,0	2,5	2,5	35,5
231,62	340	400		493	516,0	-	587	587,0	2,5	2,5	46,0
355,44	320	380		498	527,0	-	632	632,0	4,0	4,0	98,0
515,54	300	360		503	532,0	-	677	677,0	5,0	5,0	205
154,19	320	380	500	513	536,0	-	607	607,0	2,5	2,5	36,5
243,65	320	380		513	536,0	-	607	607,0	2,5	2,5	48,0
358,93	320	380		518	544,0	-	652	652,0	4,0	4,0	100,0
531,68	300	360		523	553,0	-	697	697,0	5,0	5,0	215
159,67	300	360	530	543	567,0	-	637	637,0	2,5	2,5	38,5
247,03	300	360		543	566,0	-	637	637,0	2,5	2,5	49,5
430,33	290	340		548	589,0	-	692	692,0	4,0	4,0	120
735,56	270	320		553	595,0	-	757	757,0	5,0	5,0	300
165,78	290	340	560	573	597,0	-	667	667,0	2,5	2,5	40,5
257,49	290	340		573	599,0	-	667	667,0	2,5	2,5	54,0
464,93	270	320		578	617,0	-	732	732,0	4,0	4,0	140
806,15	250	300		583	626,0	-	797	797,0	5,0	5,0	345
176,15	340	400	600	613	638,0	-	717	717,0	2,5	2,5	51,5
297,04	340	400		613	638,0	-	717	717,0	2,5	2,5	67,5
482,96	320	380		618	652,0	-	782	782,0	4,0	4,0	170
196,85	250	300	630	645	674,0	-	765	765,0	3,0	3,0	72,5
339,39	250	300		645	674,0	-	765	765,0	3,0	3,0	92,5
578,67	240	280		653	698,0	-	827	827,0	5,0	5,0	205
210,31	240	280	670	685	718,0	-	805	805,0	3,0	3,0	76,5
353,85	240	280		685	718,0	-	805	805,0	3,0	3,0	97,5
591,52	220	260		693	737,0	-	877	877,0	5,0	5,0	245
246,00	220	260	710	725	759,0	-	855	855,0	3,0	3,0	92,5
413,27	220	260		725	759,0	-	855	855,0	3,0	3,0	115
646,34	200	240		733	761,0	-	927	927,0	5,0	5,0	275
290,33	200	240	750	768	802,0	-	902	902,0	4,0	4,0	110
448,40	200	240		768	799,0	-	902	902,0	4,0	4,0	140
674,36	185	220		773	820,0	-	957	957,0	5,0	5,0	315

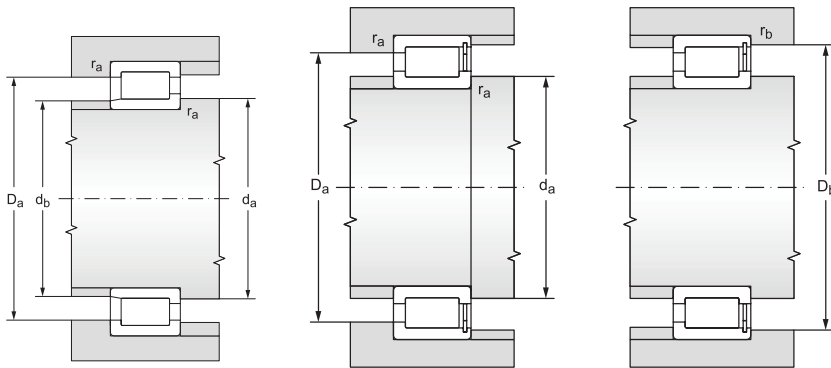
Single row full complement cylindrical roller bearings

d = 800 to 1000 mm



12.4.3

Main dimensions								Bearing designation	Basic load rating	
d	D	B	r _s	r _{1s}	F	E	s ¹⁾		dynamic	static
			min	min					C _r	C _{or}
mm									kN	
800	980	82,00	5,0	5,0		936,00	9,0	NSF18/800V**	1950,0	4800,0
	980	106,00	5,0	5,0		936,00	10,0	NSF28/800V**	2750,0	7500,0
	1060	150,00	6,0	6,0		1002,00	11,0	NSF29/800V**	4950,0	12200,0
850	1030	82,00	5,0	5,0		985,00	9,0	NSF18/850V**	2000,0	5100,0
	1030	106,00	5,0	5,0		986,00	10,0	NSF28/850V**	2850,0	8000,0
	1120	155,00	6,0	6,0		1061,00	13,0	NSF29/850V**	5200,0	12700,0
900	1090	85,00	5,0	5,0		1044,00	9,0	NSF18/900V**	2350,0	6000,0
	1090	112,00	5,0	5,0		1044,00	10,0	NSF28/900V**	3200,0	9150,0
	1180	165,00	6,0	6,0		1120,00	13,0	NSF29/900V**	5900,0	14600,0
950	1150	90,00	5,0	5,0		1103,00	10,0	NSF18/950V**	2400,0	6300,0
	1150	118,00	5,0	5,0		1103,00	12,0	NSF28/950V**	3400,0	9800,0
	1250	175,00	7,5	7,5		1179,00	14,0	NSF29/950V**	6600,0	16300,0
1000	1220	100,00	6,0	6,0		1165,00	12,0	NSF18/1000V**	2900,0	7500,0
	1220	128,00	6,0	6,0		1165,00	12,0	NSF28/1000V**	4100,0	11600,0
	1320	185,00	7,5	7,5		1252,00	14,0	NSF29/1000V**	7450,0	18600,0



1) Admissible axial movement
 2) Recommended diameter of fitting for axially loaded bearings
 Bearings in the new standard
 NEW FORCE



Fatigue load limit	Limiting speed for lubrication with		Abutment and fillet dimensions								Weight
	grease	oil	d	d _a	d _{as} ²⁾	d _b	D _a	D _b	r _a	r _b	
P _u				min		max	max	max	max	max	~
kN	min ⁻¹		mm								kg
303,82	185	220	800	818	855,0	-	962	962,0	4,0	4,0	130
474,71	185	220		818	855,0	-	962	962,0	4,0	4,0	165
762,08	170	200		823	860,0	-	977	977,0	5,0	5,0	360
317,55	170	200	850	868	902,0	-	1012	1012,0	4,0	4,0	135
498,12	170	200		868	903,0	-	1012	1012,0	4,0	4,0	175
779,76	160	190		873	914,0	-	1097	1097,0	5,0	5,0	405
367,27	160	190	900	918	957,0	-	1072	1072,0	4,0	4,0	160
560,09	160	190		918	957,0	-	1072	1072,0	4,0	4,0	208
881,92	145	170		923	982,0	-	1127	1127,0	5,0	5,0	472
379,46	145	170	950	968	1012,0	-	1132	1132,0	4,0	4,0	185
590,28	145	170		968	1012,0	-	1132	1132,0	4,0	4,0	240
968,18	135	160		978	1033,0	-	1222	1222,0	6,0	6,0	565
444,27	135	160	1000	1023	1063,0	-	1197	1197,0	5,0	5,0	230
687,14	135	160		1023	1063,0	-	1197	1197,0	5,0	5,0	310
1 087,33	125	150		1028	1091,0	-	1292	1292,0	6,0	6,0	680